

EN

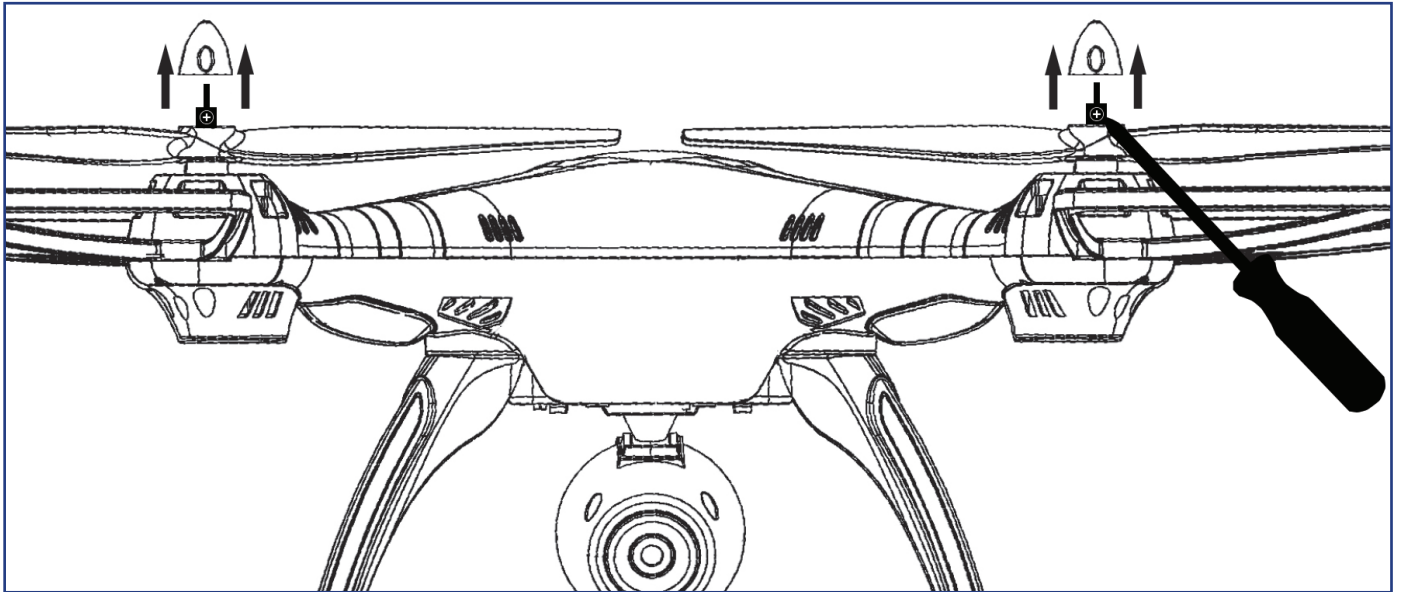
MARCOPOLO DRONE

USER MANUAL CORRECTIONS

Propeller replacement:

1. Pull off the propeller protection cap
2. Use the screwdriver for releasing the propeller fixing on the axis, take the propeller off. Replace it with the Spare one.

NOTE : please make sure to replace A propeller with A and B propeller with B



Automatic calibration

Procedure: place the drone on the flat horizontal surface, turn on the drone and proceed binding, then simultaneously move the left joystick to the lower left corner position and right joysticks to the lower right corner position and hold for few seconds, until the lights of the drone will stop flashing.

The drone is ready to operate now.

